



# The Lead Sled<sup>®</sup> Plus



## Assembly, Care, and Usage Instructions

### Limited Warranty

Every Caldwell product is warranted to be free of defects in materials and workmanship for a period of one (1) year from the date of original purchase. Caldwell will, at its option, repair or replace without charge, except for transportation costs, parts that fail under normal use and service when operated and maintained in accordance with our Instructions. This warranty does not apply to normal wear or to items whose life is dependent upon their use and care. This warranty is in lieu of all other warranties, expressed or implied and releases Caldwell, its affiliates, and its vendors from all other obligations and liabilities.

**If you need help, call Battenfeld at 1-877-509-9160. Do not return product to store.**

**Product #820-300**

**A Battenfeld<sup>®</sup> Product**  
Technologies, Inc.

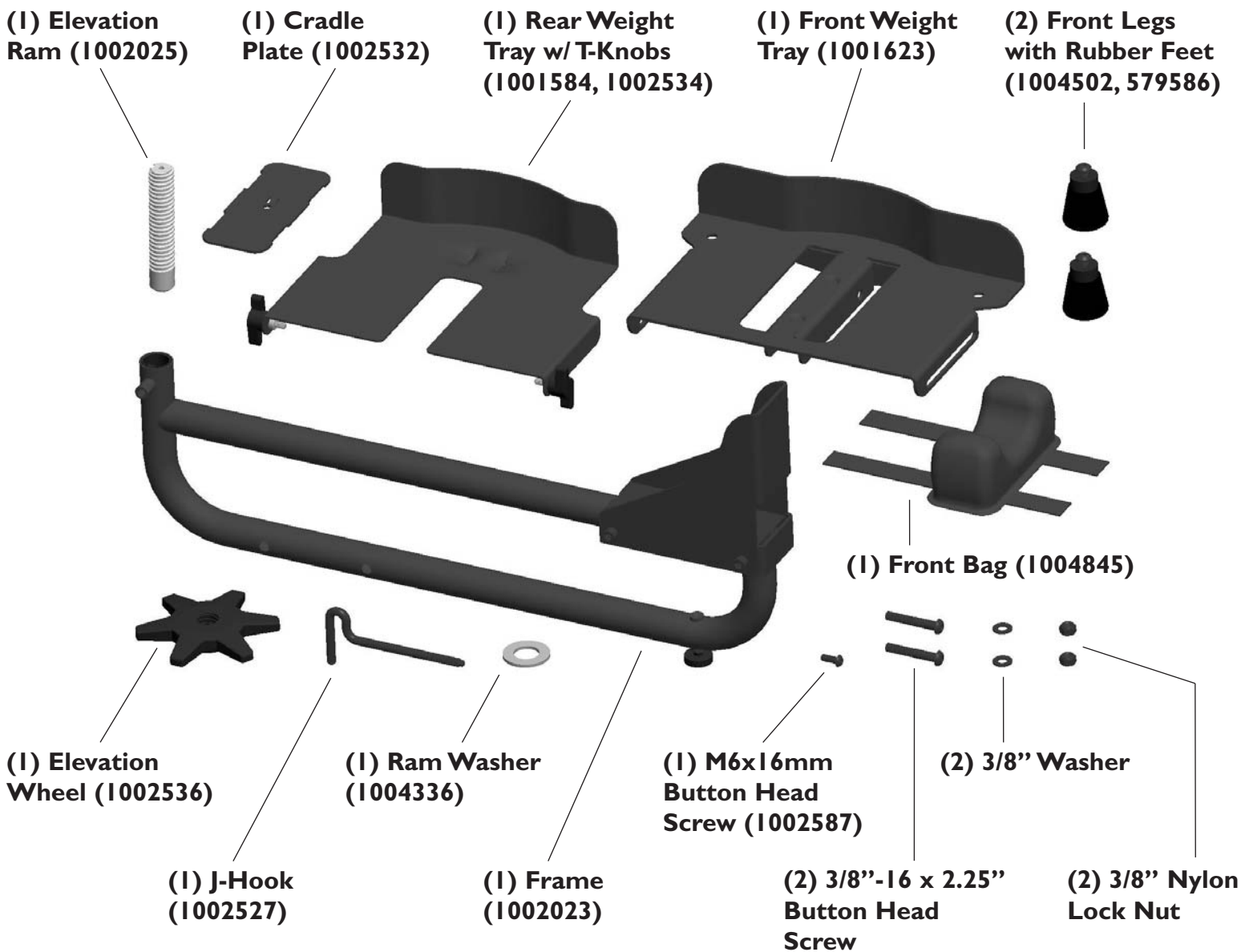
5885 West Van Horn Tavern Road  
Columbia, MO 65203  
[www.caldwellshooting.com](http://www.caldwellshooting.com)

**Instruction #1005052**

## 2.

Thank you for purchasing a Caldwell Lead Sled® Plus.

The Lead Sled® Plus comes to you partially assembled. It will require only a few minutes, using the three provided hex keys and either a 9/16" wrench or adjustable wrench (not included) to fully assemble your rest. Please take a moment to locate all of the parts shown in this photo. Since we are always trying to improve our products, some components may vary slightly in appearance.

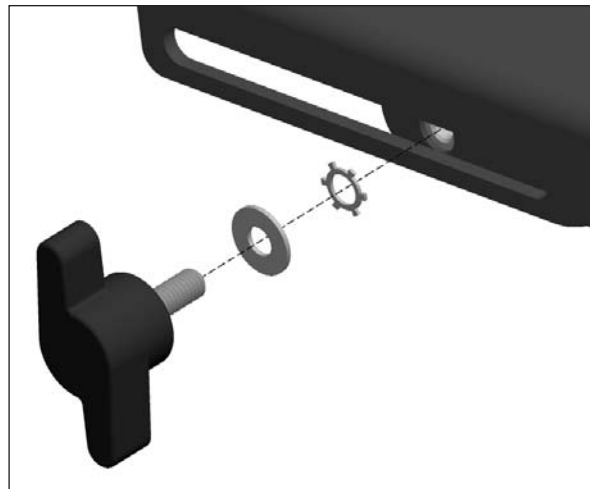
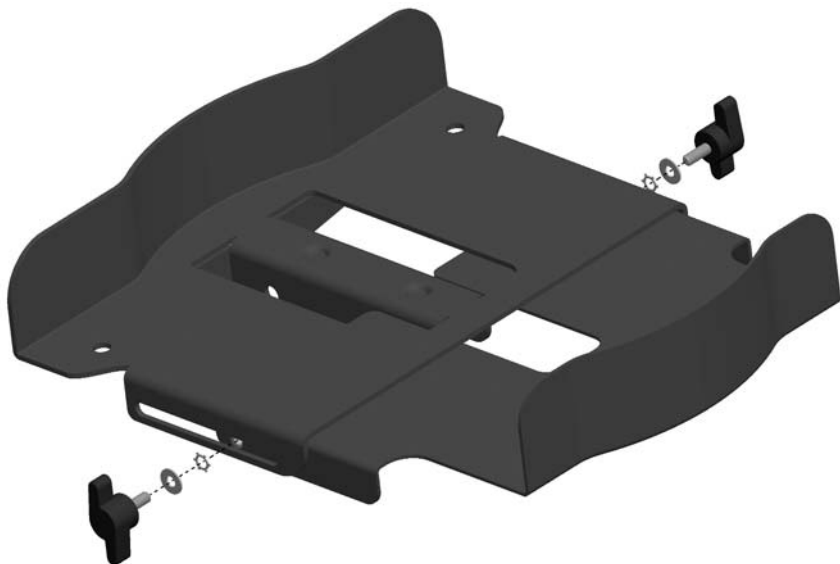


## Assembling your Lead Sled Plus

### Tray and Feet Assembly

Assemble the Front Weight Tray (1001623) to the Frame (1002023). This is the larger of the two trays and has the flanges on the bottom. To assemble, first slide the tray between the frame tubes and position the lower frame tube between the two flanges. There are two cross-holes that will line up in the tray and frame. Using the long Button Head Screws; the appropriate hex key and a wrench; assemble the screws, washers and lock nuts. **The bolts should fit very tightly in the holes and will require using the hex key to thread them through the tray and frame.** Ensure that the nuts are tightened securely.

Instructions continued on page 3. >>>>



Next attach the Front Legs (1004502) to the Front Weight Tray. The screws that secure the legs to the weight tray may come already installed in the legs. Remove the two button head screws and use the appropriate hex key to attach them to the weight tray. Once you have the legs securely attached, slip the Rubber Feet (579586) onto them.

Attach the Rear Weight Tray (1001584). This is the smaller of the two trays, and will slide underneath the front tray. To assemble it, place it between the frame tubes as before, with the raised wall towards the rear of the rest. Slide the front edge between the front weight tray and the lower frame tube and push it all the way forward. When the tapped holes in the rear tray line up with the slots in the front tray, screw in the T-knobs along with flat washers and external tooth lock washers according to the photo.

### **Front Cradle and Elevation System**

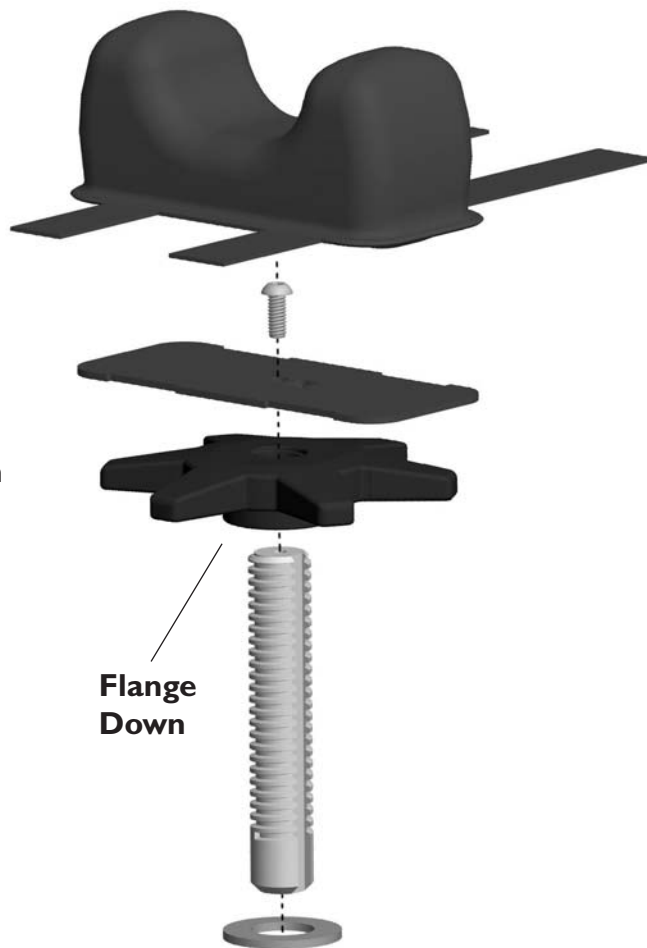
To assemble the front cradle and elevation system you need the Ram (1002025), Elevation Wheel (1002536), Nylon RamWasher (1004336), Cradle Plate (1002532), small Button Head Screw (1002587) and Front Bag (1004845). Your ram may already be placed inside the frame.

Thread on the Elevation Wheel about halfway down the Ram with the flange of the wheel facing downward. Slide the Nylon Ram Washer onto the bottom half of the ram so that it sits on the raised flange of the elevation wheel. With the ram, wheel and washer assembled as shown, place the ram back into the frame and tighten with the J-Hook (1002527) to hold it in place for the next step.

Next screw the cradle plate to the top of the ram using the button head screw. There is a locating tab on the bottom of the cradle plate that matches the slot cut into the ram. When they are correctly aligned, firmly tighten the screw with the supplied hex key.

Finally attach the front bag. The bag has two hook and loop straps which simply hold the bag to the cradle plate. You may wish to trim the excess length of the straps after assembly.

**IMPORTANT: Your Lead Sled Plus is now assembled.**  
**Read the usage instructions before using this product.**



Instructions continued on page 4. >>>>

## Usage Instructions:

**4.**

1. Position the assembled Lead Sled Plus on your shooting bench with the rest in the direction of the target. (Can be used with either a sitting or stand-up bench.) Make sure the surface is flat and free of debris.
2. Be sure that the Lead Sled Plus is equipped with an appropriate front bag for your firearm's forend. Alternate bags are available from Caldwell Shooting Supplies.
3. Place the unloaded rifle or shotgun to be fired onto the Lead Sled Plus, resting the forend on the front bag and the butt in the specially designed rear rest. The toe of the stock may extend through the square hole in the rear rest.
4. Adjust or reposition the rest laterally to align the firearm's sights with the target. Adjust the height of the front rest until the correct elevation is achieved. Elevations adjustments are easily made with the Elevation Wheel, by slightly loosening the j-hook and rotating the wheel to change the height of the front rest. Re-tighten the j-hook when the correct elevation is attained (see Tips). The rear elevation Foot can also be employed to raise and lower the rear of the Lead Sled Plus to give added elevation adjustment.
5. Remove the firearm in order to load weight into the Lead Sled Plus. This rest is specially designed to accommodate many different types of weight. The most common types are 25lb bags of lead shot, 25lb steel barbell weights, or the Caldwell Weight Bags, which can be filled with sand or other media.
  - a. Our testing has shown that lead shot provides the most recoil reduction per pound.
  - b. The rest is also designed to work with up to two 25lb Olympic standard barbell weights. There are many different sizes and styles of weights available, and the rest will accommodate most common sizes. However, some styles are much thicker than others and only one of these plates may fit between the frame rails.
  - c. To install the weight plates, first loosen the two T-knobs and slide the rear tray backwards. This will allow enough room to slide the weights in from the side.
  - d. When the weight plates are installed, make sure they are against the front wall of the tray and slide the rear tray so that the weights are captured between the two. Now hold the rear tray against the weights and tighten the T-knobs very tightly. (With very heavy recoiling guns, make sure that the knobs are very tight and check to see if the weights have moved after every couple shots. While the rest will still function if the weights shift, it won't be able to absorb as much recoil.)
  - e. For Lead Shot or Sand Bags, simply adjust the rear tray so that it will accommodate the bags you are using and tighten the t-knobs.
6. Read the following information before using your Lead Sled Plus.

### **IMPORTANT SAFETY INFORMATION!**

- **Always practice safe firearm handling.**
- **Do not transport the rest with weight installed. Doing so could cause the weight to fall out resulting in damage to the rest or injury to the user.**
- **Always hold the forend of the firearm when shooting off of the Lead Sled Plus. If it is not held, the captured recoil can cause the forend to jump out of the bag possibly causing damage to the firearm or injuring the shooter.**

### **TIPS:**

- Position your firing shoulder solidly behind the rear rest and grasp the forend just as you would when using any shooting rest. Pull the firearm rearward to make certain the butt is securely seated against the rear rest.
- While many different types of weight are acceptable, lead shot will provided the greatest recoil reduction per pound.
- The front bag on the Lead Sled Plus can slide slightly from side to side. This will give the shooter a small amount of Windage adjustment, allowing them to make small sight adjustments without having to move the entire rest.
- The J-hook only needs to be tightened enough to keep the front support from moving. The Elevation Wheel will keep the front support in place and only a small amount of tension is necessary to lock it into place. There is no need to tighten the J-hook any further.

**Note: For best results store The Lead Sled® Plus indoors in a clean and dry environment. Periodically lubricate the threads on the elevation wheel, ram and rear foot to prevent corrosion.**

**Visit [www.CaldwellShooting.com](http://www.CaldwellShooting.com) for additional info, Lead Sled Plus accessories, and other great products.**

**Need help? Call Battenfeld Technologies, Inc. at (877) 509-9160**